

Fan speed controller with additional functions

ARW/S

Autotransformer regulators serve the purpose of airflow control, fitted in single-phase ventilation and heating systems. The transformers are made with Class II insulation and protection grade IP54.

The maximum ambient temperature is 40°C and thermal class of insulation B.

Manufactured in compliance with EN 61558-2-13.

Notes:

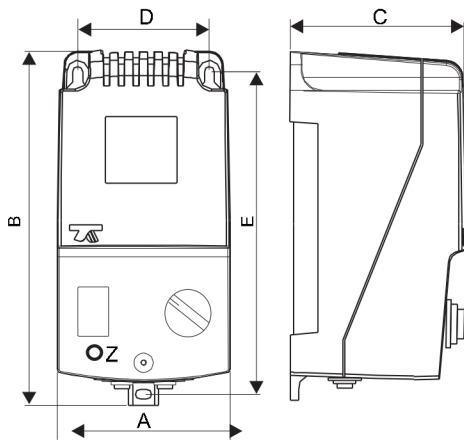
U₁N₁ - fuse protected, regulated output for motor; NL₁ - fuse protected, 2A unregulated 230V voltage;

TK - motor protection from overheating (thermal contacts on the motor).

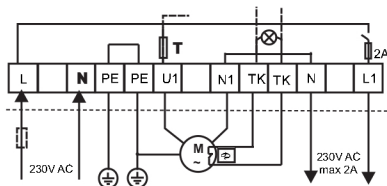
Rated current SEC :1,5 - 14A

Rated voltage PRI :230 V 50/60 Hz

Rated voltage SEC :5step regulation



GRAPH OF CONNECTION



Type	Art. Nr.	U pri [V]	Current [A]	Step of regulation Ur[V] / Ir[A]					Dimensions [mm] A x B x C x D x E x Ø	Weight [kg]
				1	2	3	4	5		
ARW 1,5/S	17886-9974	230	1,5	115/1,5	135/1,5	155/1,5	180/1,5	230/1,5	90x175x95x71x157xM4	1,5
ARW 2,0/S IP54	17886-9959	230	2,0	115/1,2	135/1,4	155/1,8	180/2,0	230/2,0	90x175x95x71x157xM4	2,1
ARW 3,0/S IP54	17886-9958	230	3,0	115/2,2	135/2,5	155/2,8	180/3,0	230/3,0	90x175x95x71x157xM4	2,5
ARW 5,0/S	17886-9975	230	5,0	80/4,0	105/4,3	135/4,6	170/5,0	230/5,0	123x240x125x105x220xM6	4,5
ARW 7,0/S	17886-9971	230	7,0	80/6,0	105/6,3	135/6,6	170/7,0	230/7,0	123x240x125x105x220xM6	5,5
ARW 10,0/S	17886-9970	230	10,0	80/6,5	105/7,5	135/8,5	170/10,0	230/10,0	147x277x155x113x255xM6	6,2
ARW 14,0/S	17886-9969	230	14,0	80/8,0	105/9,5	135/11	170/12,5	230/14,0	147x277x155x113x255xM6	10,5